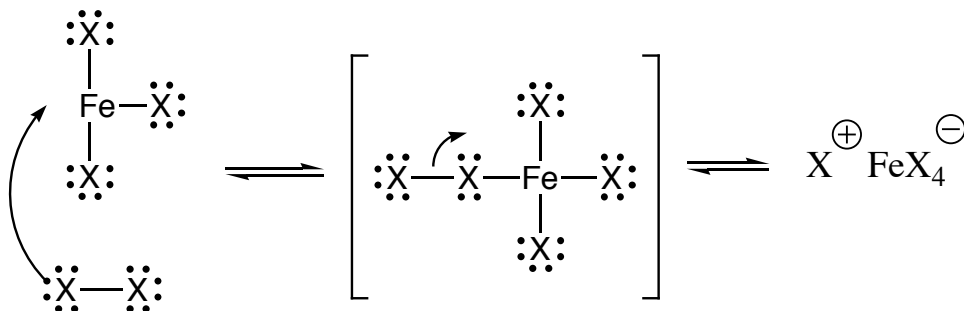


Reagents

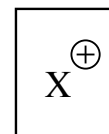
Halogenation X_2, FeX_3



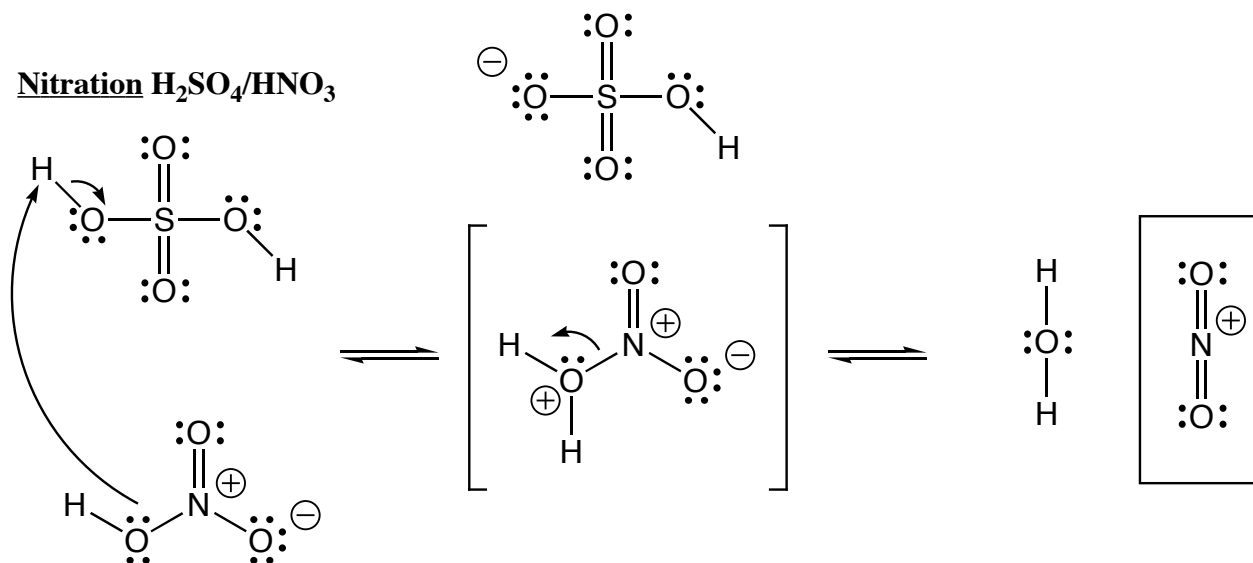
$X = Br, Cl$

Wicked strong
electrophile

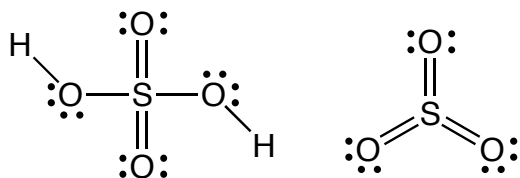
E^+



Nitration H_2SO_4/HNO_3



Sulfonation H_2SO_4/SO_3



Fuming sulfuric acid
contains both of the
above reagents, the SO_3
is the important one

